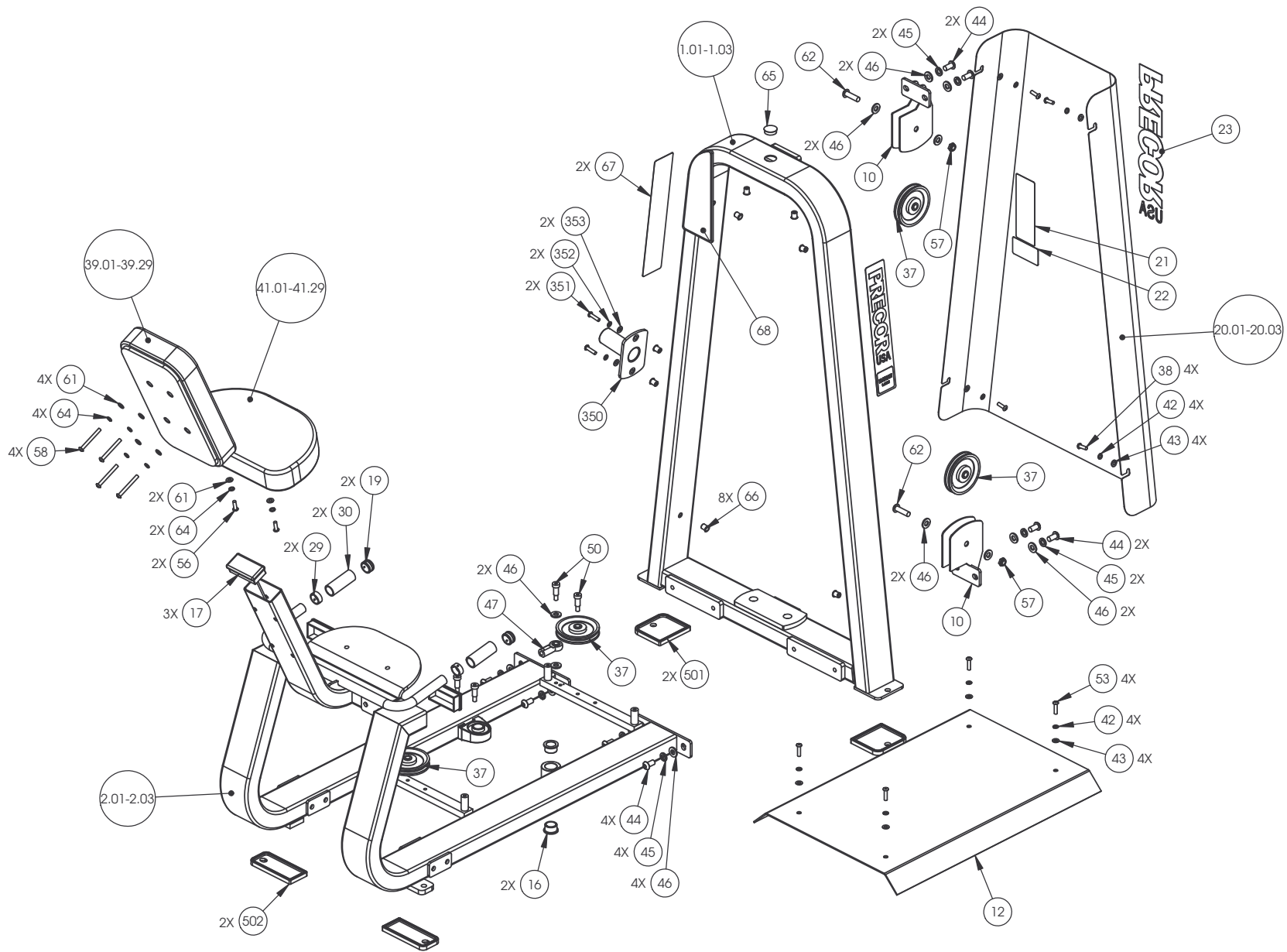
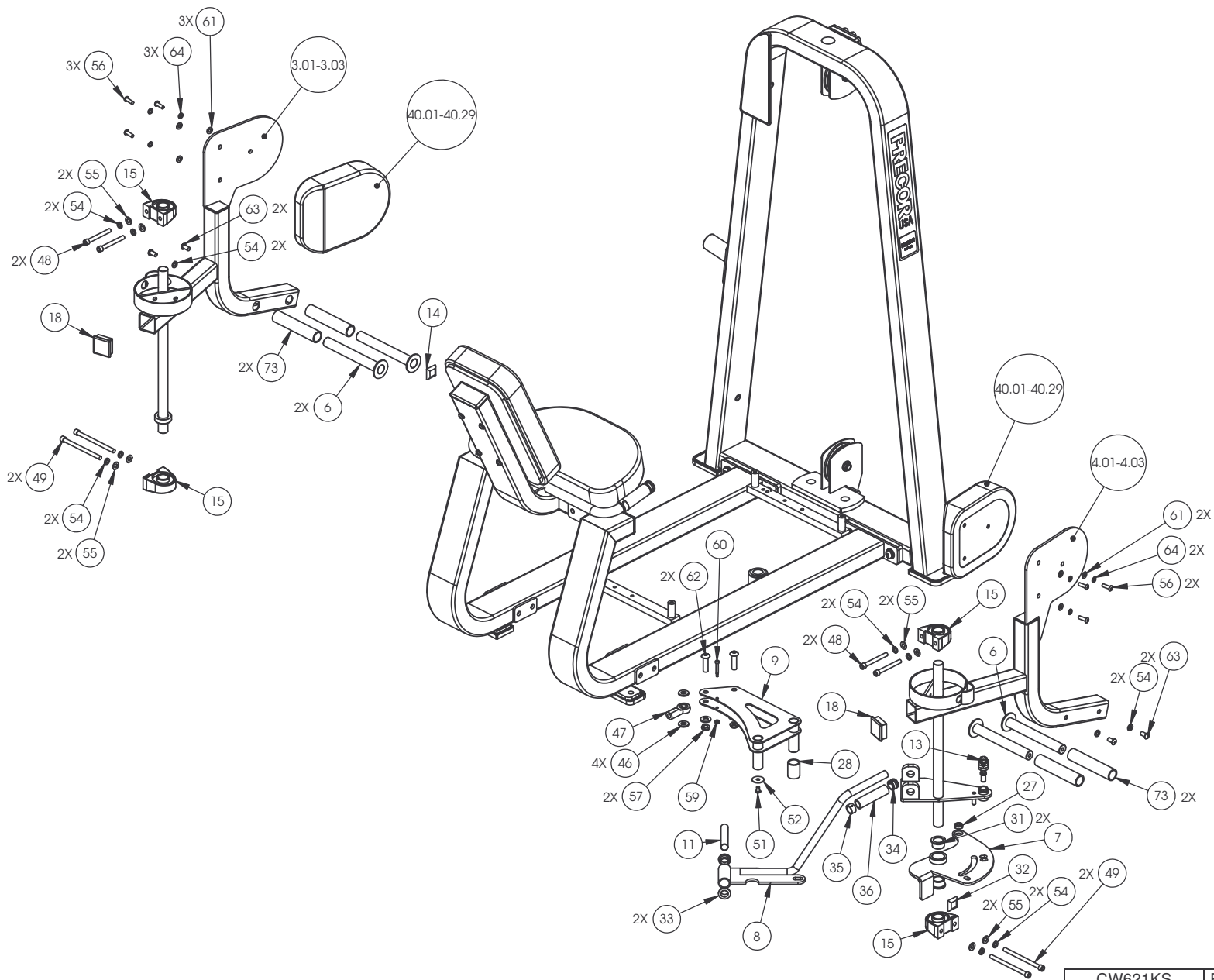


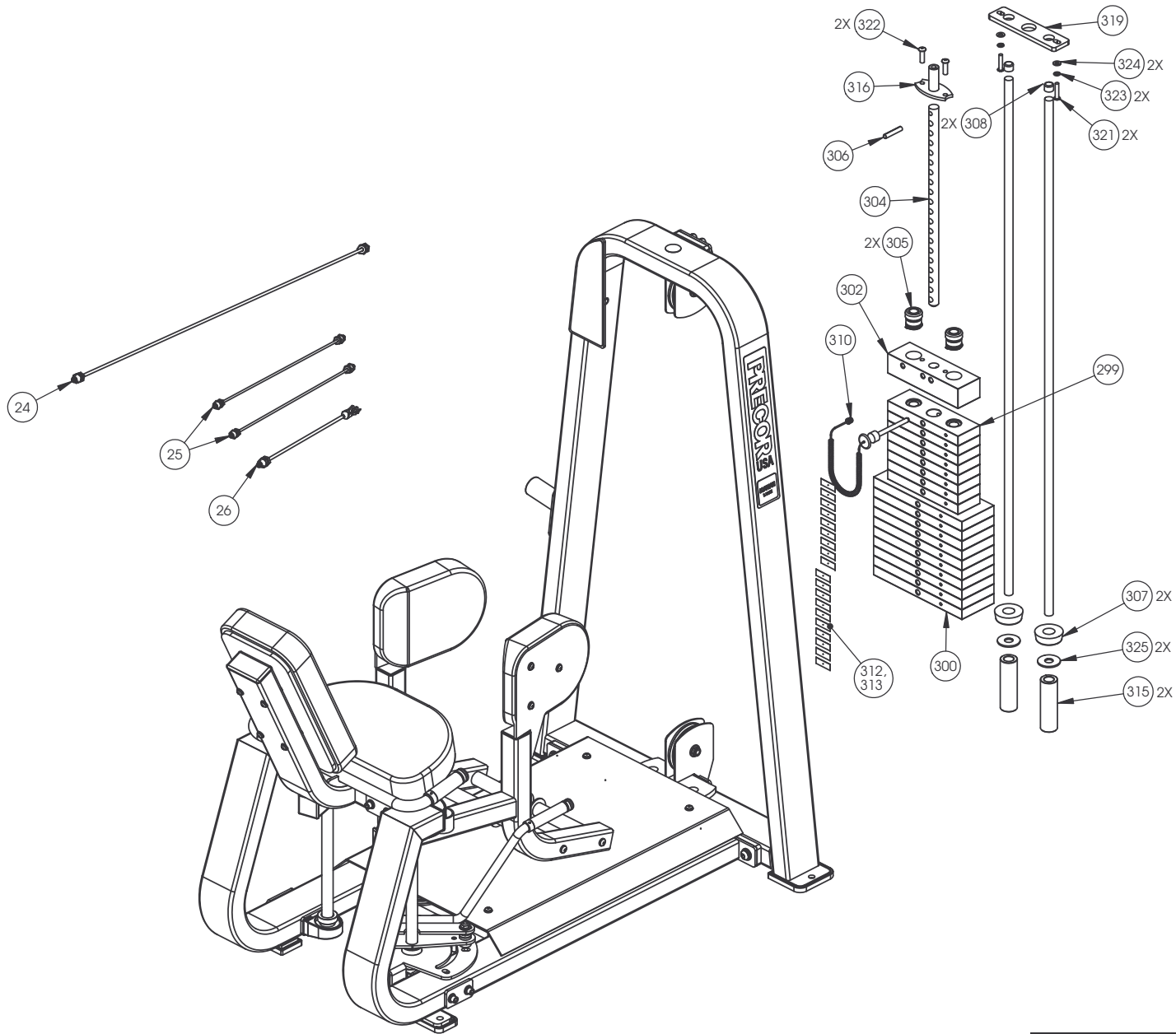
CW621KS	P/N: CW33427-101	SUBREV: A
DRAWN BY: MGP	DATE: 08.14.03	SHEET 1 OF 4



CW621KS	P/N: CW33427-101	SUBREV: A
DRAWN BY: MGP	DATE: 08.14.03	SHEET 2 OF 4



CW621KS	P/N: CW33427-101	SUBREV: A
DRAWN BY: MGP	DATE: 08.14.03	SHEET 3 OF 4



CW621KS	P/N: CW33427-101	SUBREV: A
DRAWN BY: MGP	DATE: 08.14.03	SHEET 4 OF 4

621KS Abductor

Part Number	Description	Bubble Number
CW33338-211	WELDMENT, A-FRAME, 620KS, 621KS, SK	1.01
CW33340-211	WELDMENT, FRAME MAIN, CW620/CW621,	2.01
CW621SA3-211	ASSY,ARM,LEFT,621,SKY WHITE	3.01
CW621SA4-211	ASSY,ARM,RIGHT,621,SKY WHITE	4.01
CW30483-721	WELDMENT, CAM, 621, WRKL BLK	7
CW33385-731	ASSY, LEVER ARM, BLK ZN	9
CW33341-731	WELDMENT, PULLEY HOUSING SINGLE,BLA	10
CWPF1362-731	BAR,STEEL,RND,DIA. .745 X 4 1/8,BLK	11
CW33331-781	PLATE, FOOT,	12
CW30502-732	ASSY, POP PIN, 0.450 DIA LONG NOSE,	13
CW12575-101	MOULDED BUMPON, BLACK, 31.75MM SQ (14
CW12406-101	PILLOW BLOCK, BEARING, 2 BOLT	15
CW10433-110	BUSHING,FLNGD,1.25ODX1IDX.75,IGUS R	16
CW11311-102	ENDCAP, REC TUBE, 2X4, BLK PLASTIC	17
CW11311-103	ENDCAP, REC TUBE, 2X2, BLK PLASTIC	18
CWAC218-901	HANDLE END CAP W/SET SCREWS, DIA 1"	19
CW32091-211	ASSY, SHROUD, #5, SKY WHITE	20.01
CW30010-102	LABEL,WARNING STRENGTH	21
CW30011-102	LABEL,WARNING WEIGHT STACK	22
CWCLGP103-250	ASSY, CABLE, 620KS, 621KS	24
CWCLLL034-250	ASSY, CABLE, 620, 621	25
CWCLNP022-375	ASSY, CABLE, 621KS	26
CW10158-119	BEARING, BALL, 608, 22MM OD X 8 MM	27
CWGR4601-625	GRIP, RUBBER, 1.00" OD HANDLE, 1.63	28
CWAC219-902	HNDL RETAINER RNG, W/SS,1.040" I.D.	29
CWGR4603-125	GRIP, RUBBER, 1.00" OD HANDLE, 3.13	30
CW10433-110	BUSHING,FLNGD,1.25ODX1IDX.75,IGUS R	31
CW12575-101	MOULDED BUMPON, BLACK, 31.75MM SQ (32
CW10433-109	BUSHING,FLNGD,1ODX.75IDX.5,IGUS R	33
CWAC220-901	HANDLE END CAP W/SET SCREWS, DIA 3/	34
CWAC233-902	HANDLE RETAINER RING W/SET SCREWS,	35
CWGR4803-750	GRIP, RUBBER, .75" OD HANDLE, 3.75"	36
CWEANN016-013	SCREW, SET, SCKT, CUP POINT, 8-32 X	36
CWAC1009-101	PULLEY, 4 1/2 DIA X 1/2 ID	37
CWTAYN031-100	SCREW, BUTTON HEAD, BLK XYLAN, 5/16	38
CWWALYN031-008	WASHER, SPLIT, 5/16 ID, BL	42
CWWBKN031-007	WASHER, FLAT, TYPE A, SAE, 5/16 ID	43
CWTAYN050-100	SCREW, BUTTON HEAD, BLK XYLAN, 1/2	44
CWWALYN050-013	WASHER, SPLIT, 1/2 ID, BLK XYLAN	45
CWWBKN050-010	WASHER, FLAT, TYPE A, SAE, 1/2 ID X	46
CWCLFA1064-741	ROD END, FEMALE, STEEL, ZINC, CAD,	47
CWCAYN038-325	SCREW, SOCKET HEAD, BLK XYLAN, 3/8	48
CWCAYN038-525	SCREW, SOCKET HEAD, BLK XYLAN, 3/8	49
CWRANN038-100	BOLT, SHOULDER, 3/8-16 X 1/2 X 1	50
CWTAYN031-050	SCREW, BUTTON HEAD, BLK XYLAN, 5/16	51
CWWABKN031-007	WASHER, FENDER,BLK ZN, 5/16 ID X 1	52
CWTAYN031-125	SCREW, BUTTON HEAD, BLK XYLAN, 5/16	53
CWWALYN038-009	WASHER, SPLIT, 3/8 ID, BLK XYLAN	54

CWWBKN038-007	WASHER, FLAT, TYPE A, SAE, 3/8 ID	55
CWTAYN031-100	SCREW, BUTTON HEAD, BLK XYLAN, 5/16	56
CWKAYN050-031	LOCKNUT, NYLON INSERT, HALF, UNC, 1	57
CWTAYN031-300	SCREW, BUTTON HEAD, BLK XYLAN, 5/16	58
CWKDYN019-023	LOCKNUT, NYLON INSERT, FULL,UNC, 10	59
CWRANN019-125	BOLT, SHOULDER, 10-24 X 1/4 X 1 1/4	60
CWWBKN031-007	WASHER, FLAT, TYPE A, SAE, 5/16 ID	61
CWTAYN050-175	SCREW, BUTTON HEAD, BLK XYLAN, 1/2	62
CWTAYN038-075	SCREW, BUTTON HEAD, BLK XYLAN, 3/8	63
CWWALYN031-008	WASHER, SPLIT, 5/16 ID, BL	64
CW11095-105	CAP, PLASTIC, HEYCO, DOME PLUG, 1.2	65
CW12537-109	NUT,INSERT,THIN-NUT,LARGE FLANGE	66
CW31756-101	LABEL, PRECOR USA ICARIAN LINE	67
CW33425-101	ASSY, PLACARD, 621KS	68
CWGR4606-000	GRIP, RUBBER, 1.00" OD HANDLE, 6.00	73
CWEANN031-050	SCREW,SET,SCKT,CUP POINT,5/16-18 X	76
CWAC1133-101	BUSHING, WEIGHT PLATE, LDPE PLASTIC	203
CW10505-721	ASSY, PLATE, WEIGHT, 05 LBS, WRKL B	299
CW10510-721	ASSY, PLATE, WEIGHT, 10 LBS, WRKL B	300
CW10540-722	PLATE, WEIGHT, SMALLTOP (STP-T), 10	302
CW30132-712	SELECTOR STEM, 20 PLATE,0.875 DIA,	304
CW30184-902	ASSY,BARREL,TOP PLATE,ALUMINUM,TALL	305
CWLDNN038-200	SLOTTED PIN SPRING, DIA 3/8 X 2	306
CW12402-101	BUMPER, ID 1.050, BLK RUBBER	307
CW12404-101	CAP, GUIDE ROD,DIA 3/4, BLK	308
CW32936-101	WEIGHT STACK LABELS, 10-200, STRAIG	312
CW32933-101	WEIGHT STACK LABELS, 10-150, STAGGE	313
CW33323-721	STACK RISER, 5 INCH, WRINKLE BLACK	315
CW32663-741	WELDMENT, BOLT ON TOP PLATE MINI ST	316
CWPF101-6732	BAR,,FLAT CR/HR, 3/8 X 2 X 8 1/4, 3	319
CWPF1214-711	GUIDE ROD,STEEL,OD 3/4 X 52 5/8, CH	320
CWTAYN031-150	SCREW, BUTTON HEAD, BLK XYLAN, 5/16	321
CWTAYN038-125	SCREW, BUTTON HEAD, BLK XYLAN, 3/8	322
CWWALYN031-008	WASHER, SPLIT, 5/16 ID, BL	323
CWWBKN031-007	WASHER, FLAT, TYPE A, SAE, 5/16 ID	324
CWWCKN075-015	WASHER, FLAT, TYPE A, WIDE, 3/4 ID	325
CW32933-101	WEIGHT STACK LABELS, 10-150, STAGGE	328
CW58004-101	WEIGHT STACK BUSHING KIT, KS SERIES	600
CW32537-102	LITERATURE KIT, GSM ONLY	999